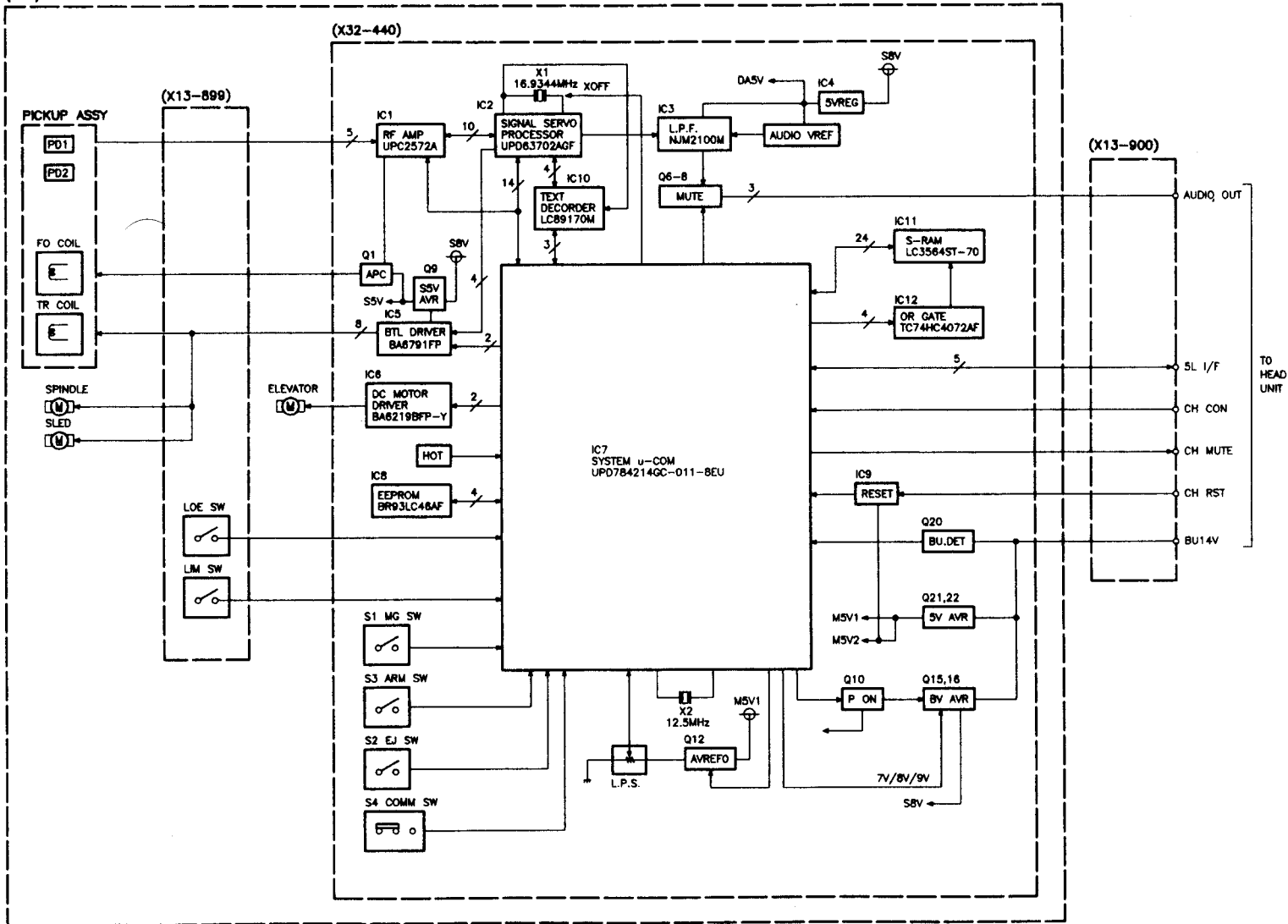
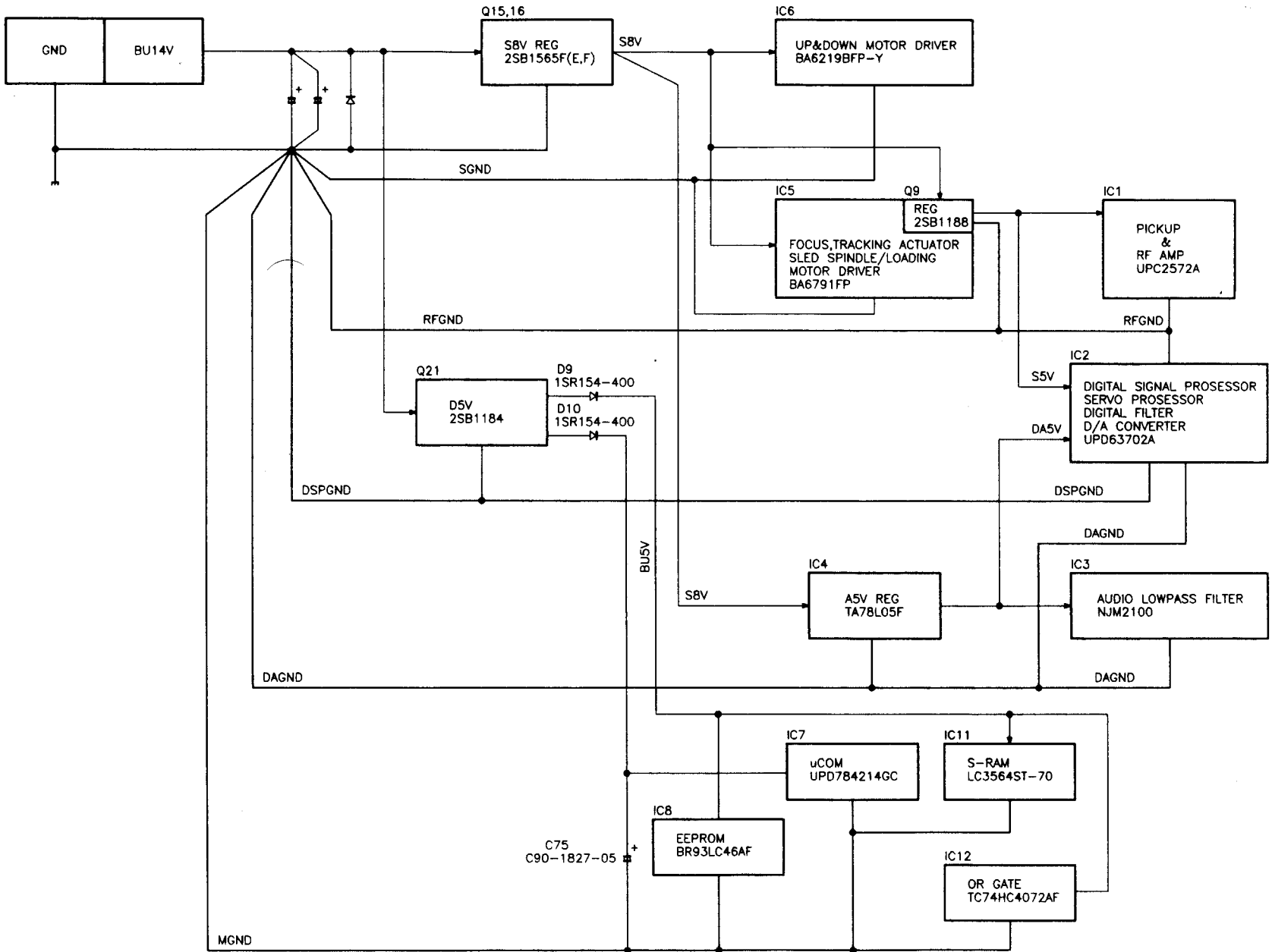
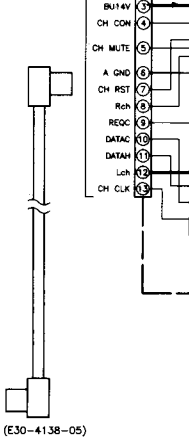
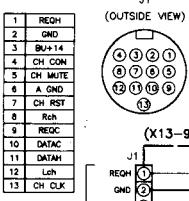


(X92)

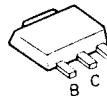
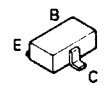
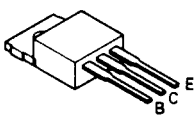
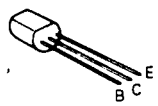
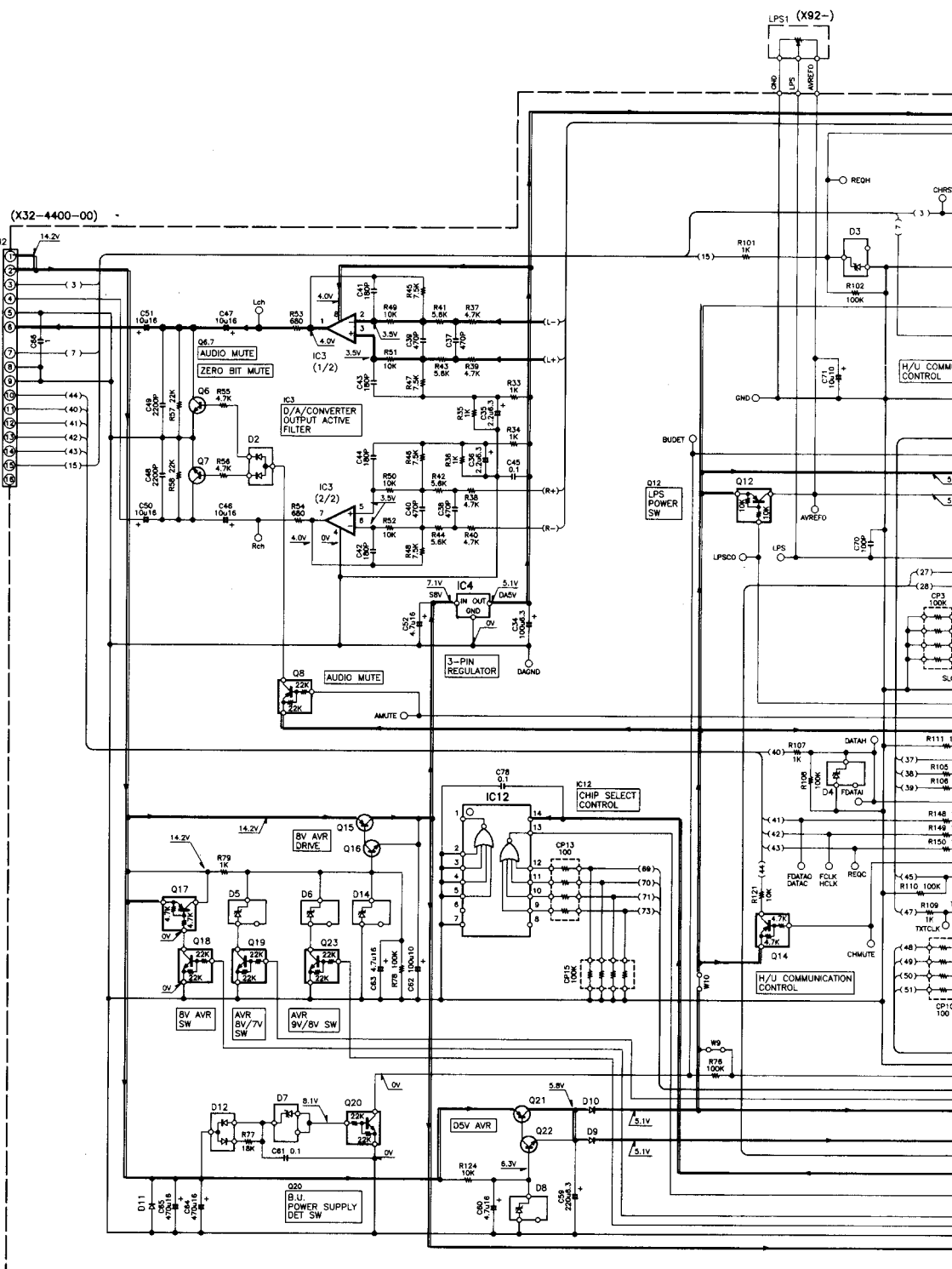






(E30-4138-05)

- IC1 : UPC2572A
- IC2 : UPD63702AGF
- IC3 : NJM2100M
- IC4 : TA78L05F
- IC5 : BA6791FP
- IC6 : BA6219BFP-Y
- IC7 : UPD784214GC-011-8EU
- IC8 : BR93LC45AF or AK93C45AF
- IC9 : PS19137NR
- IC10 : LC89170M
- IC11 : LC3564BT-70
- IC12 : TC74HC4072AF
  
- Q1,10 : 2SA1362(Y)
- Q5,11,13,18-20,23 : DTC124EK
- Q6,7 : 2SD2114K
- Q8 : DTA124EK
- Q9 : 2SB118B
- Q12 : DTA114EK
- Q14,17 : DTA143EK
- Q15 : 2SB1565(E,F)
- Q16,22,24 : 2SC2412K
- Q21 : 2SB1184
  
- D1,2 : DAP202K
- D3,4,7 : MA3056-M
- D5 : MA3075-M
- D6 : MA3091-L
- D8 : MA3062-M
- D9-11 : 1SR154-400
- D12 : DA204K
- D13 : DAN202K
- D14 : MA3100-M

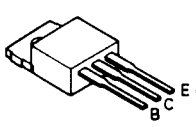
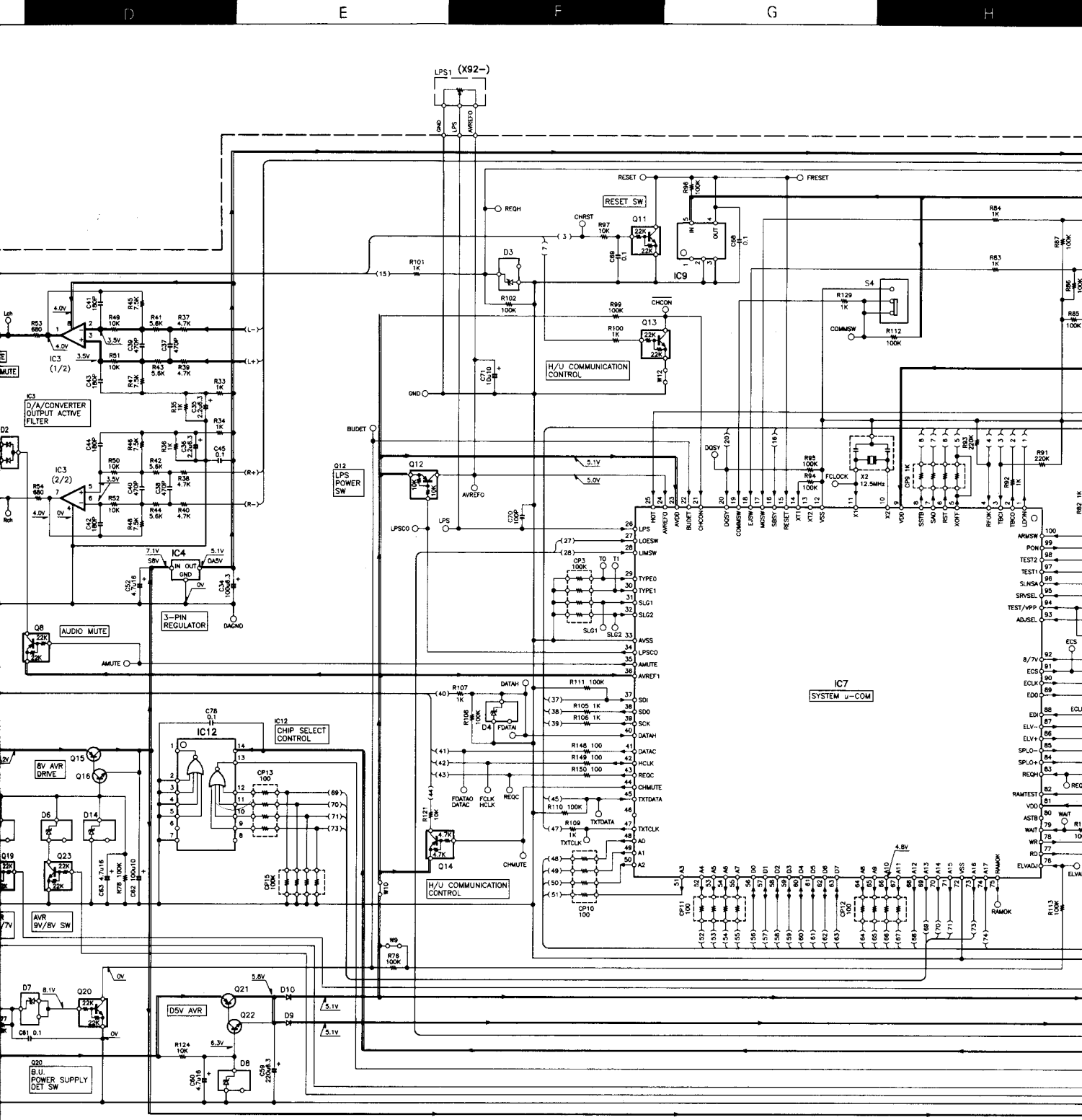


- AK93C45AF
- BA6219BFP-Y
- BA6791FP
- DAP202K
- LC3564BT-70
- MA3056-M
- MA3062-M
- MA3075-M
- MA3091-L
- MA3100-M
- MA3100-M
- NTH5G40B333K0
- TC74HC4072AF
- UPC2572A
- UPD63702A
- UPD784214GC01
- 1SR154-400

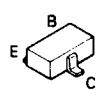
2SB1565

- DTA114EK
- DTA124EK
- DTA143EK
- DTC124EK
- 2SA1362
- 2SC2412K
- 2SD2114K

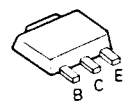
2SB1188



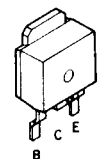
2SB1565



- DTA114EK
- DTA124EK
- DTA143EK
- DTC124EK
- 2SA1362
- 2SC2412K
- 2SD2114K



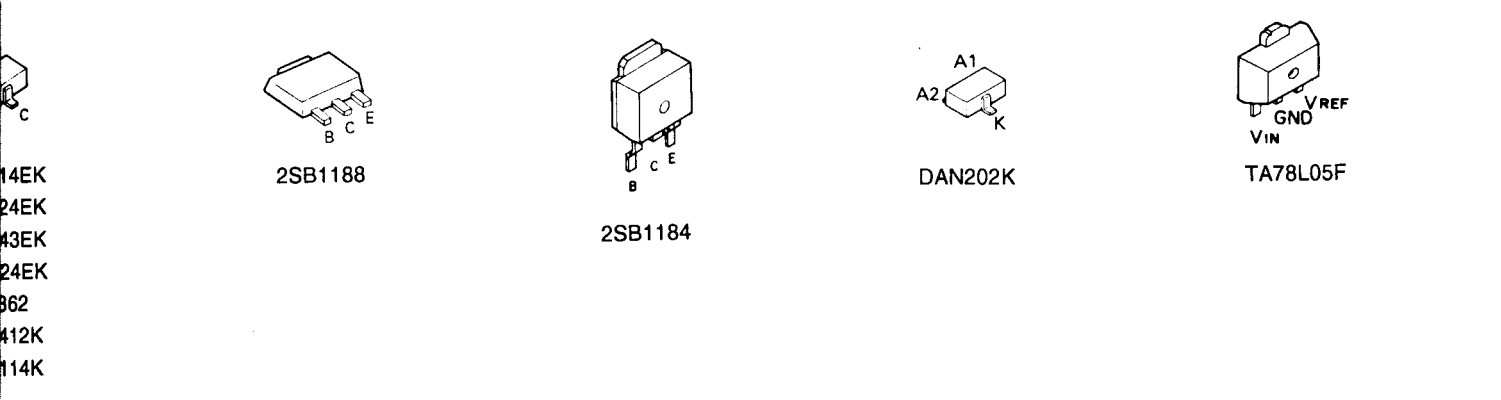
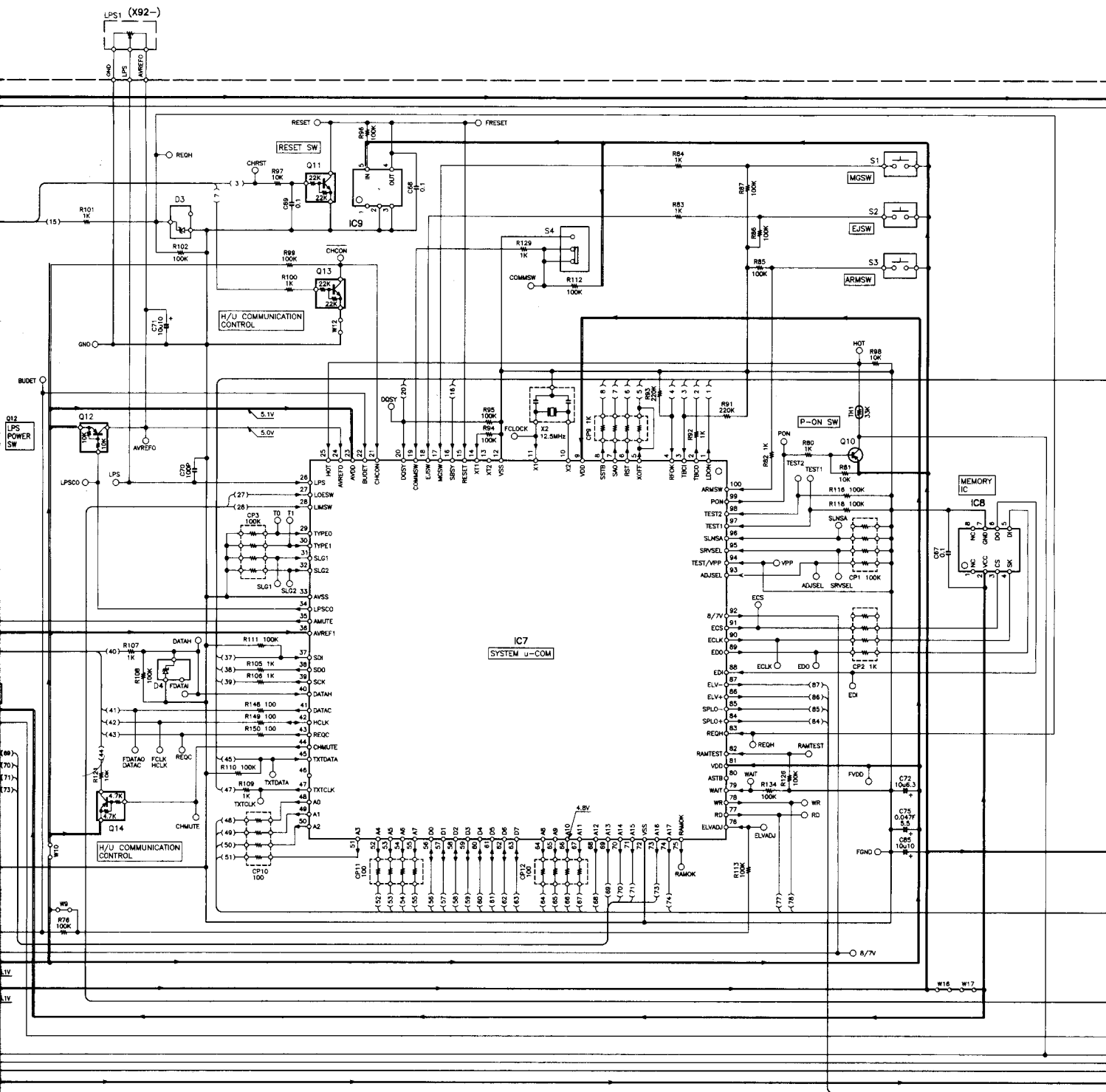
2SB1188



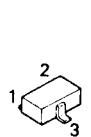
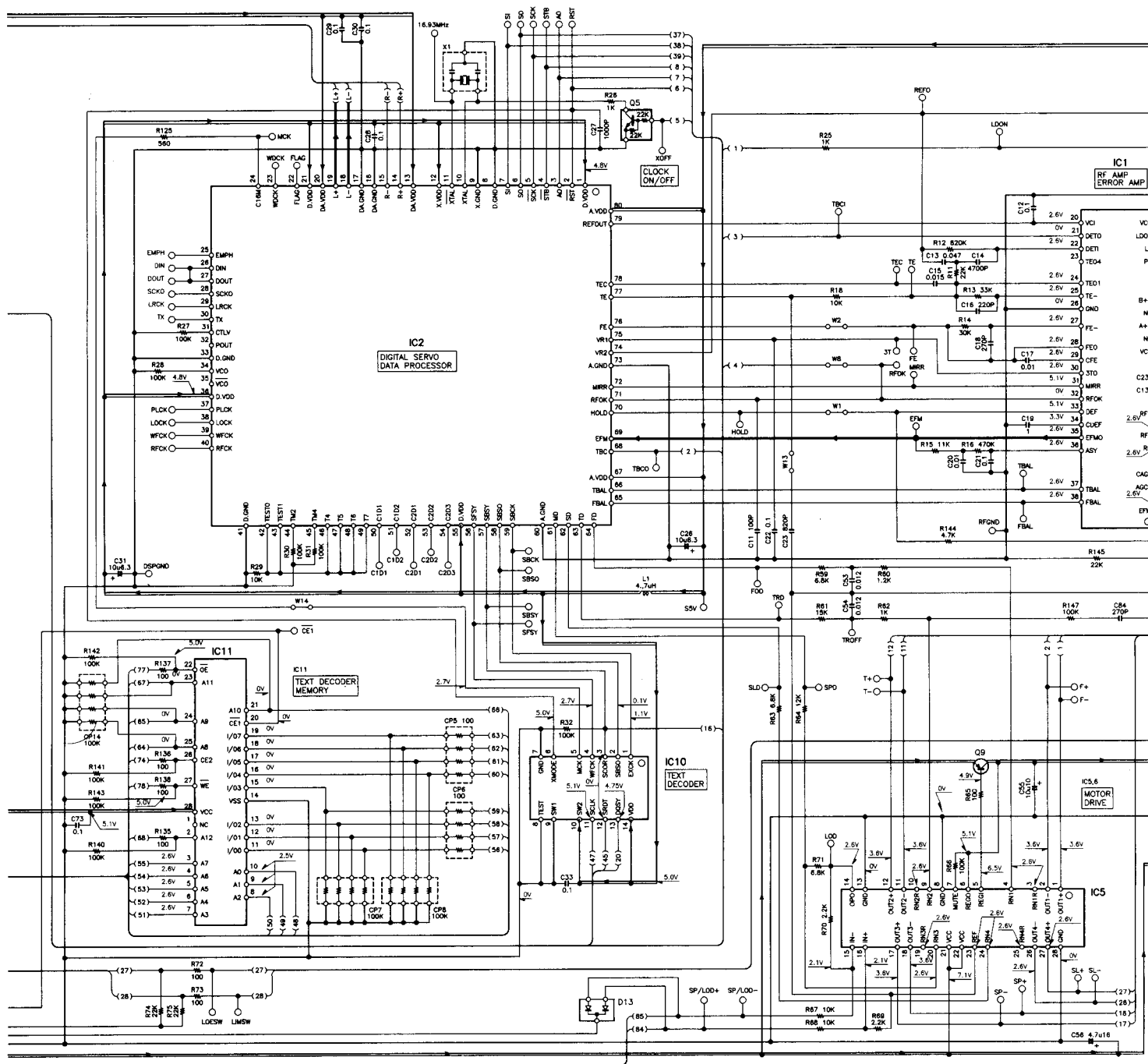
2SB1184



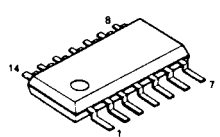
DAN202K



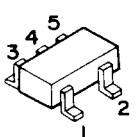
14EK  
24EK  
43EK  
24EK  
962  
412K  
114K



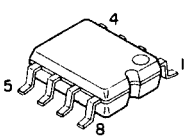
DA204K



LC89170M



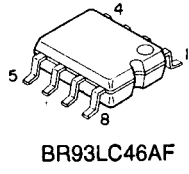
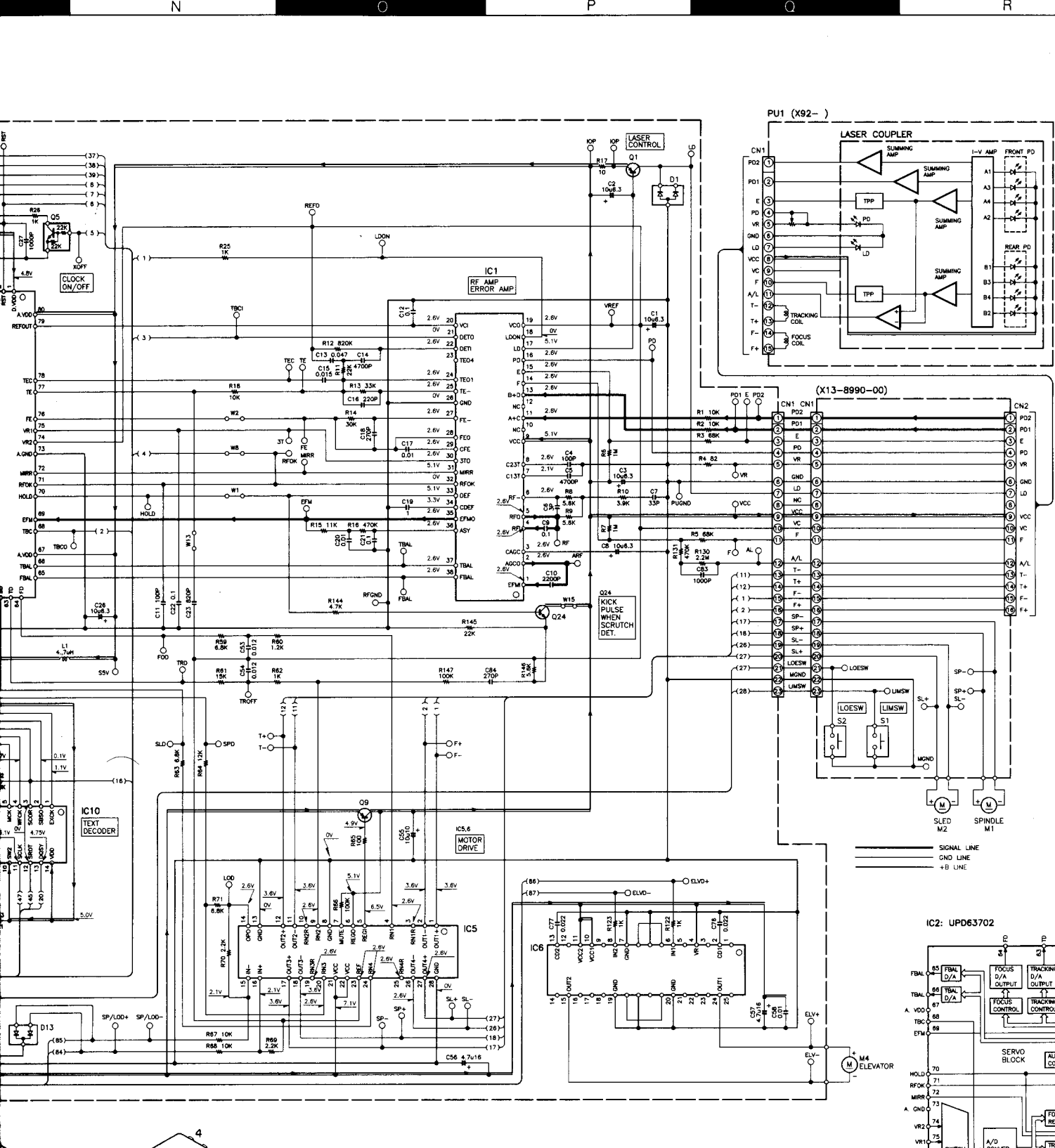
PST9137NR



BR93LC46AF

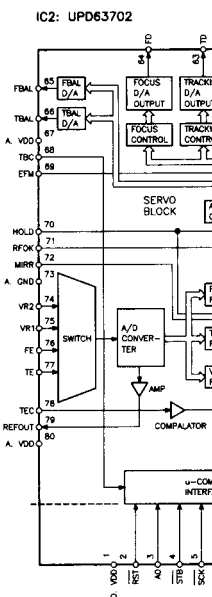
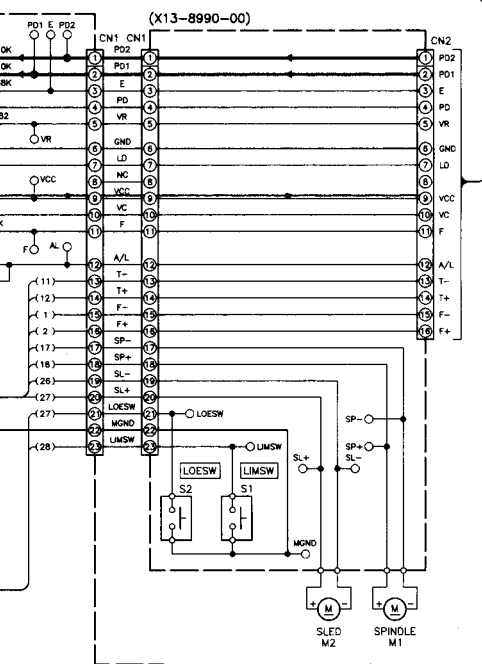
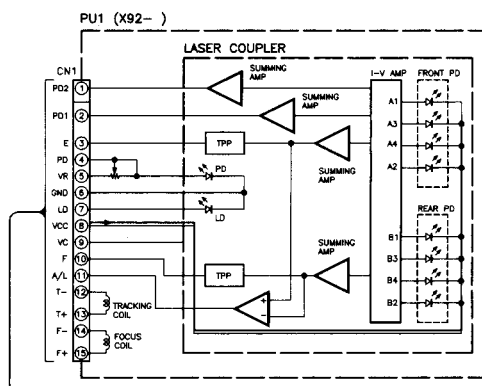
**CAUTION:** For continuous operation, use only components with the correct ratings (refer to parts list). To reduce the risk of electric shock, resistance measurements are acceptable only on insulated appliances if the appliance is returned to the manufacturer.

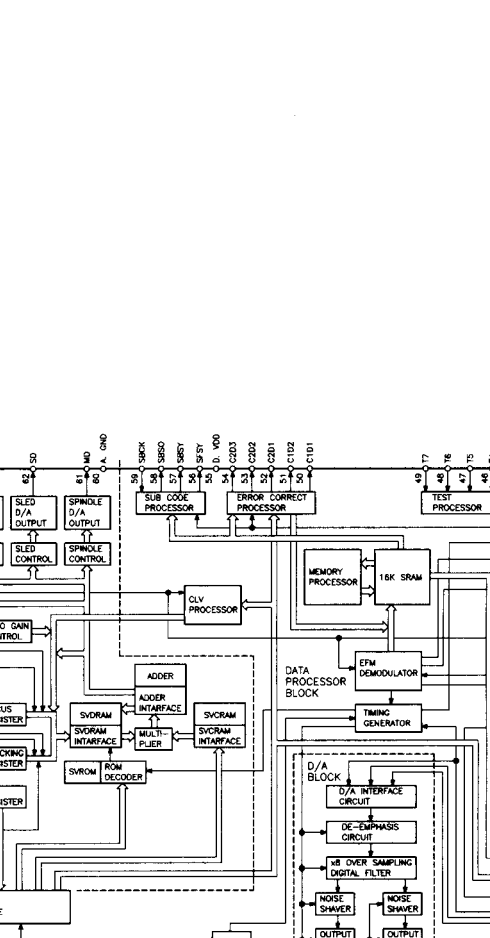
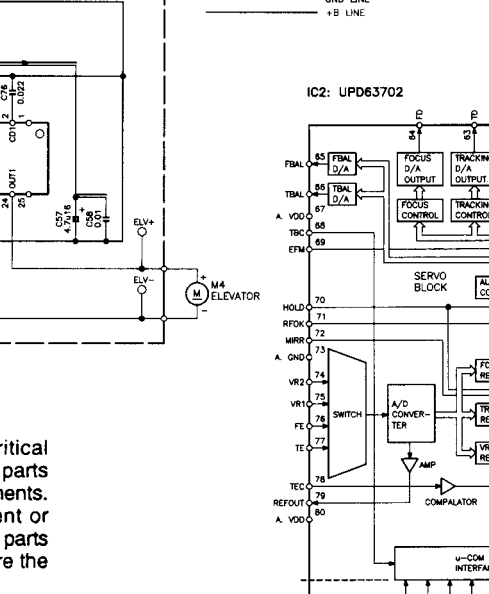
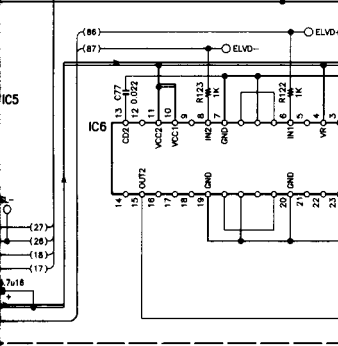
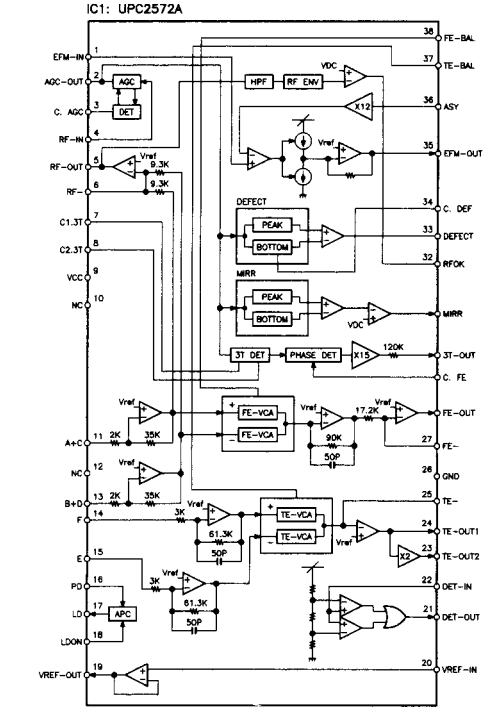
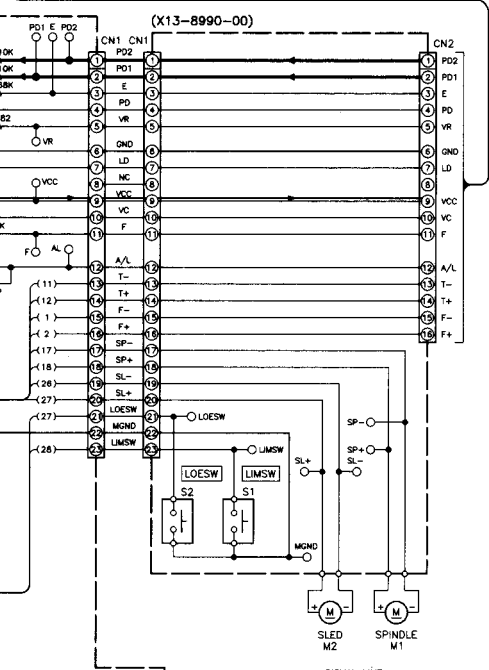
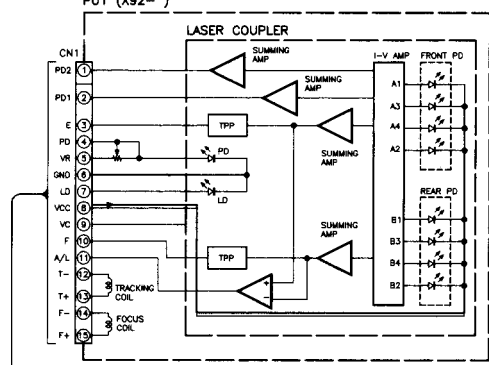
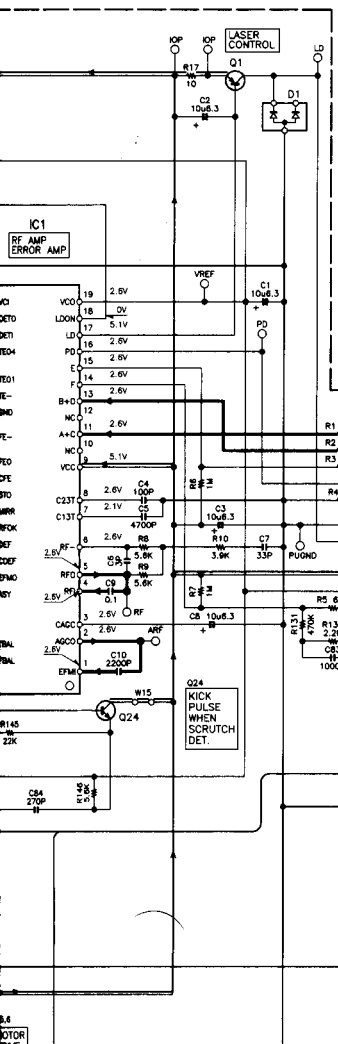
DC voltages are as measured. Values may vary slightly from those shown on instruments or/and units.



**CAUTION:** For continued safety, replace safety critical components only with manufacturer's recommended parts (refer to, parts list).  $\Delta$  Indicates safety critical components. To reduce the risk of electric shock, leakage-current or resistance measurements shall be carried out (exposed parts are acceptably insulated from the supply circuit) before the appliance is returned to the customer.

DC voltages are as measured with a high impedance voltmeter. Values may vary slightly due to variations between individual instruments or/and units.





For continued safety, replace safety critical parts only with manufacturer's recommended parts (see list).  $\Delta$  Indicates safety critical components. To reduce the risk of electric shock, leakage-current or fire measurements shall be carried out (exposed parts shall be insulated from the supply circuit) before the unit is returned to the customer.

As measured with a high impedance voltmeter. Slight variations may occur due to variations between individual units.

